



AccuTrac[®]

FASTENING SYSTEM

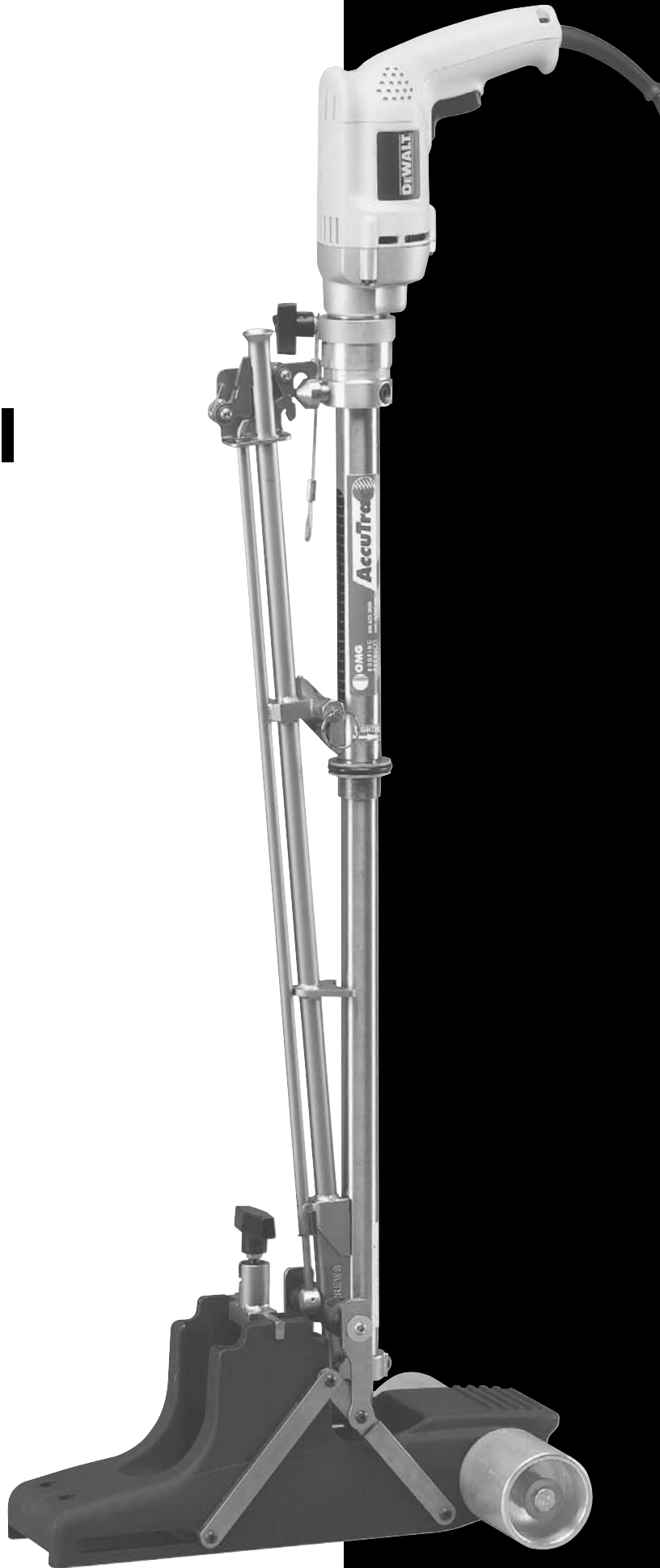
Stand-up Insulation Attachment Tool

Owner's Manual

IMPORTANT!
Save this manual
and read it in
full before use.



153 BOWLES ROAD
AGAWAM, MA 01001
800-633-3800
WWW.OLYFAST.COM



WARNING

When using electric tools, safety precautions should always be followed to reduce the risk of fire, electric shock, and personal injury. Failure to follow these instructions can result in severe personal injury.

Read All Instructions

General Safety Considerations

1. Before using the tool, become familiar with all of the operating instructions.
 2. Don't use the tool for purposes not intended.
 3. Failure to wear safety glasses with side shields can result in severe eye injury or blindness. Always wear safety glasses with side shields that conform to ANSI Standard Z87.1.
 4. Keep the work area clean and well lit. Dark, cluttered work areas and benches invite injuries.
 5. Dress properly! Never operate the tool while wearing loose clothing or jewelry. They can be caught in moving parts.
 6. Maintain proper footing and balance at all times:
 - Don't use the tool in an awkward position.
 - Don't overreach.
 7. Stay alert! Watch what you are doing! Use common sense! Do not operate tool when you are tired!
3. Never allow visitors to contact the tool or extension cords. All visitors should be kept away from the work area.
 4. Don't abuse the tool:
 - Keep handle dry, clean and free from oil and grease.
 - Never carry the tool by the cord or yank it to disconnect from the receptacle.
 - Always keep the cord from heat, oil and sharp edges.
 - Always store an idle tool in a dry, high or locked-up place.
 - Always disconnect the tool when it's not in use or before servicing.
 - To avoid unintentional starting, never carry a plugged-in tool with finger on the switch. Be sure the switch is OFF when plugging in.
 5. Maintain the tool with care. Check damaged parts. Before further use of the tool, a guard or other part that is damaged should be carefully checked to determine that it will operate properly and perform its intended function. Check for alignment of moving parts, binding of moving parts, breakage of parts, mounting and any other conditions that may affect its operation. A guard or other part that is damaged should be properly repaired or replaced by an authorized service center unless otherwise indicated elsewhere in this instruction manual. Have inoperative switches replaced by an authorized service center. Do not use the tool if the switch does not turn the tool ON and OFF.
 - When servicing double insulated tool, use identical replacement parts.
 - Keep the tool clean for better and safer performance.
 - Inspect the tool cord periodically and, if damaged, have it repaired by an authorized service facility.
 - Inspect the extension cord periodically and replace it if it's damaged.

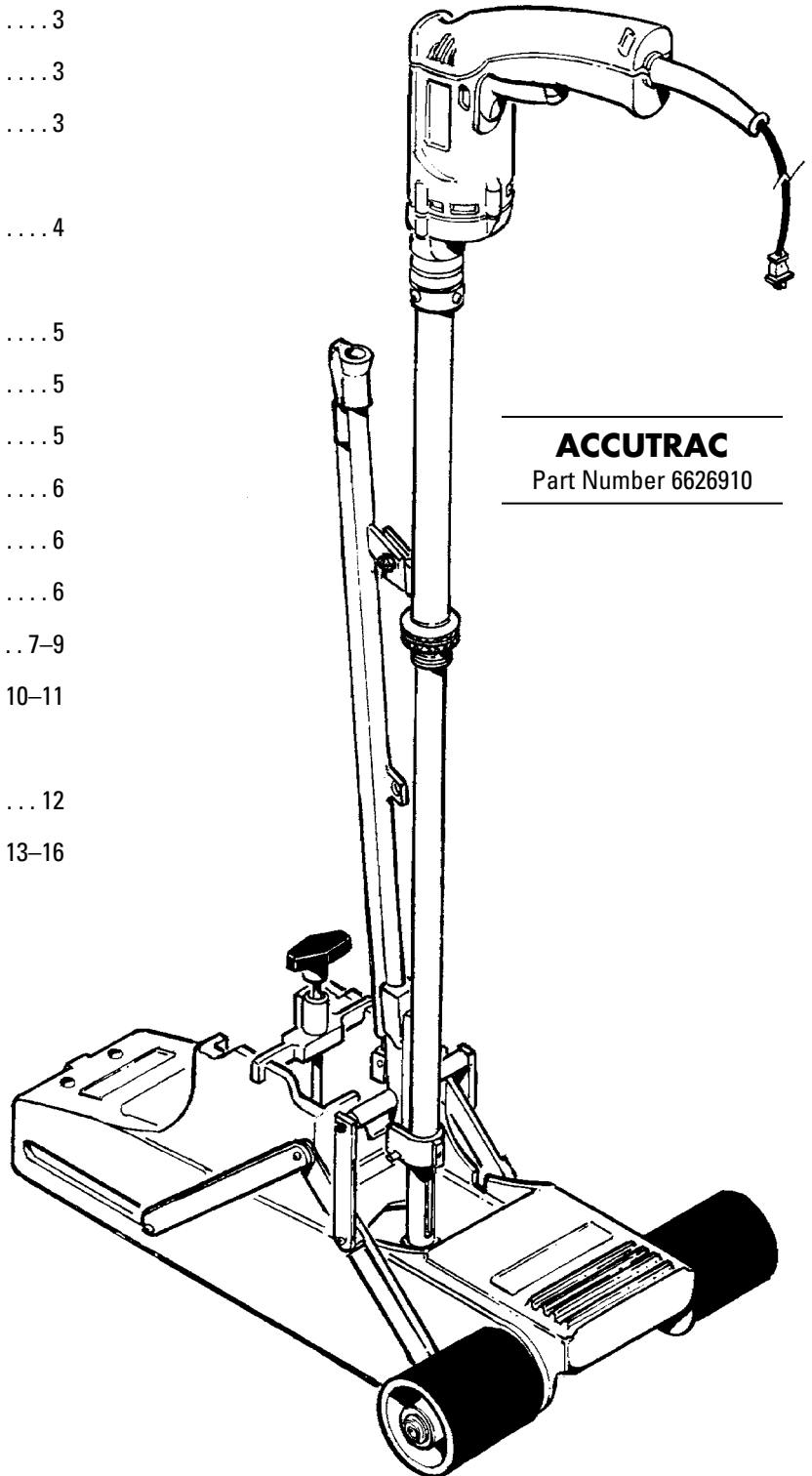
Safety Procedures For Electric Tools

1. Guard against electric shock.
2. Consider work area environment:
 - Never operate tool in damp or wet locations.
 - Prevent body contact with grounded surfaces, such as pipes.
 - Use only extension cords intended for outdoor use and so marked.
 - Wear rubber gloves and non-skid footwear when working outdoors.
 - Don't expose power tools to rain.
 - Never operate tool in the presence of flammable liquids or gases.

SAVE THESE INSTRUCTIONS

Table of Contents

General Safety Instructions.....	1
Warranty and Remedy, Wire Gauge	3
Operating Instructions	
General.....	3
Loading Plates.....	3
Operating the Tool	3
Adjustments	
Depth Adjustment.....	4
Parts Removal and Replacement	
Feed Tube Removal and Replacement	5
Screw Gun Removal and Replacement	5
Drive Shaft, Hex Pin Insert and Bit(s).....	5
Ejector Blade Insert Discs	6
Clearing Fastener and Plate Jams.....	6
Cleaning Procedure	6
Troubleshooting.....	7-9
Parts List.....	10-11
Cleaning and Maintenance Procedures	
General.....	12
Dismantling the Tool	13-16



ACCUTRAC
Part Number 6626910

Warranty and Remedy

ALL WARRANTIES OF THE PRODUCTS DESCRIBED HEREIN, EXPRESS OR IMPLIED, INCLUDING THE WARRANTIES OF MERCHANTABILITY AND FITNESS FOR PARTICULAR PURPOSES ARE SPECIFICALLY EXCLUDED, EXCEPT FOR THE FOLLOWING: OMG Roofing Products will repair or replace, at its sole option, any tool part which within 90 days after sale by OMG Roofing Products or its distributors, is found by OMG Roofing Products to be defective in material or workmanship, normal wear and tear excluded.

THIS IS THE SOLE WARRANTY OF OMG ROOFING PRODUCTS AND THE SOLE REMEDY AVAILABLE TO DISTRIBUTOR OR BUYER.

Notice

The AccuTrac tool was designed for use with 3" square plates (insulation) and approved fasteners manufactured by OMG Roofing Products. OMG Roofing Products is not responsible for damage to the tool and/or improper installation as a result of using fasteners and/or plates other than described above.

Important Note Before Using Tool

Extension cords must be of adequate wire size (AWG or American Wire Gauge) for safety, to prevent loss of power and to avoid overheating. To determine the minimum wire size required, refer to the following chart:

Cord Length in Feet	25'	50'	75'	100'	125'	150'
Wire Size (Gauge)	18	16	14	14	12	12

Operating Instructions

General

1. **Use only with 3" square plates (insulation) and approved fasteners manufactured by OMG Roofing Products.**
2. At the beginning of each day, wipe down the tubes and the bottom of the ejector plate. Lubricate the linkage and the plate ejector blade, if needed, then unlatch the tool.
3. Load the plate hold with the proper plates.
4. Make sure the screw gun is in the FORWARD mode and is NOT in the locked ON position. Connect the tool to the proper power source.
5. At the end of the day, remove any dust accumulation from the tubes and the bottom of the ejector blade.
6. Lubricate all moving parts. Excess lubricant will evaporate overnight.
7. Re-latch the tool and store it in its case.

Loading Plates

1. Push and turn the plate retaining handle counterclockwise and lift the retaining rod to its extended position.
2. Remove the pre-packaged plates from the box. Align the notch in the plates with the projection on the back side of the plate hold.
3. Drop the plates into the hold, slide the retaining rod down, then push and turn it clockwise to lock the handle in position.

Operating the Tool

1. Drop one screw, point down, into the funnel.
2. Fully compress the AccuTrac to allow a plate to be ejected from the stack and moved into position for attaching to the insulation. At this point the screw will be released and will drop down the feed tube. Allow the tool to fully extend, then drop another screw into the funnel. It will be contained at the mouth of the funnel until needed.
3. Lock the screw gun trigger in the ON position. Using the lock will keep the screw gun running cooler. Push the tool downward to drive the screw through the insulation until it contacts the deck. Continue to hold down on the tool until the plate is fully seated.
4. Allow the tool to retract to its original position. This motion causes the next plate to be ejected from the stack and the second screw to drop down the feed tube.
5. Check the plate to make sure it is properly seated and adjust fastener depth if necessary.
6. Pull the tool back on its wheels, push it to the next plate application position on the roof and repeat the "tool use" instructions.

Adjustments

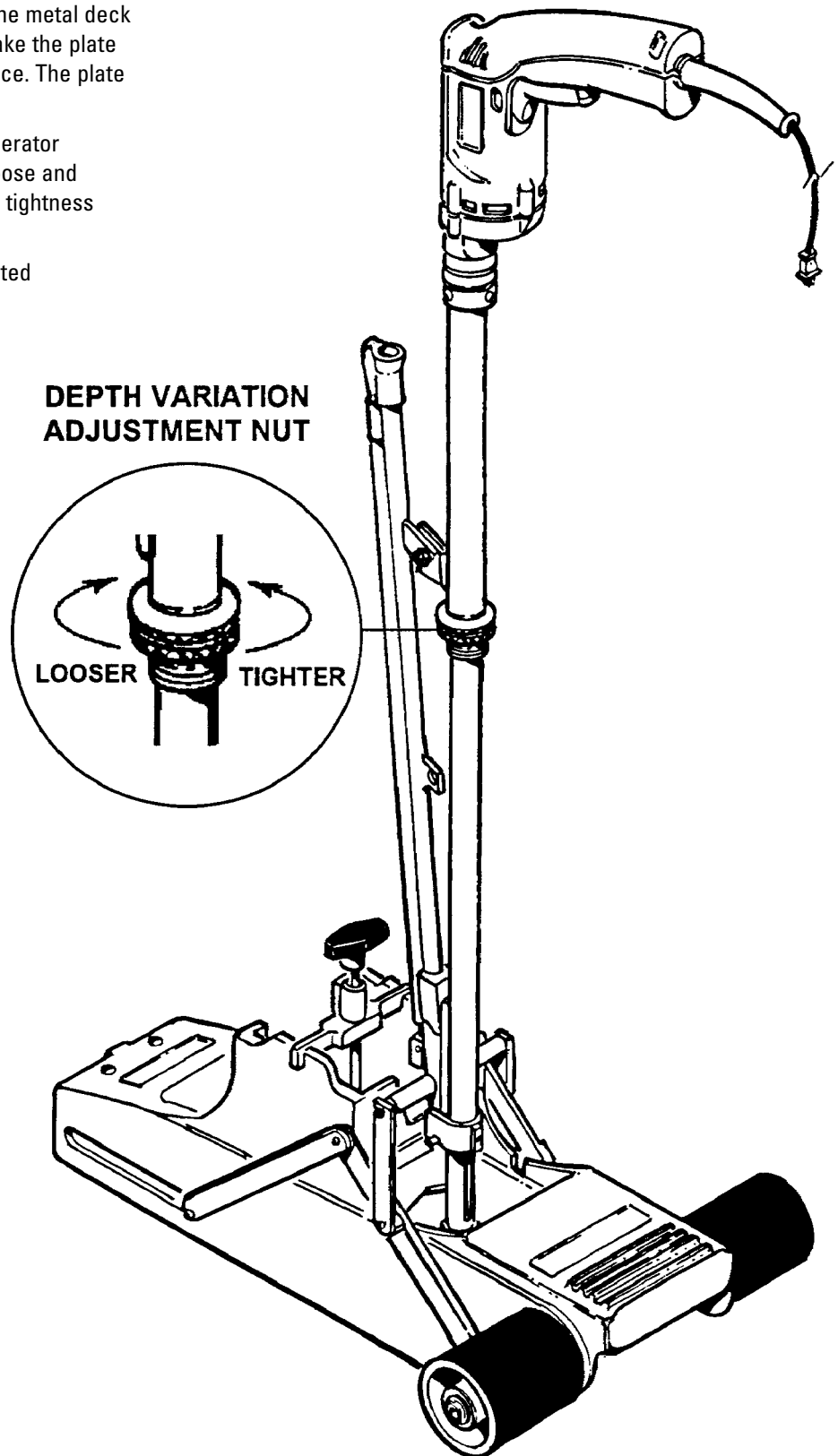
Depth Adjustment

Over-driving can cause the screw to strip out the metal deck and not hold. The tool should be adjusted to make the plate snug so that it does not spin freely on the surface. The plate should not be so tight as to cause it to deform.

To avoid overdriving, it is suggested that the operator deliberately start with the adjustment set too loose and then slowly make adjustments until the desired tightness is reached.

Adjustments are made using the large ring located on the upper body tube of the tool. Moving the ring upwards towards the screw gun will make the screw deeper (tighter).

Note: If you are unable to make the plate "snug" through adjusting the depth adjustment nut, make sure that the screw gun is in the forward position (not reverse).



Parts Removal and Replacement

Always Use OMG Roofing Products Replacement Parts

Feed Tube Removal and Replacement

1. Disconnect the upper link from the feed tube assembly by sliding the black plastic bushings inward and push the upper link forward to disengage. Repeat the process for the opposite upper link.
2. The tool can now be removed from the base by pulling up on the tool.
3. Once the tool is separated from the base, you can remove the feed tube from the upper tube by pulling on the spring-loaded retention pin and separating it from the bracket on the upper tube. The feed tube should now release from the tool.
4. To re-install the feed tube, align the lower end so that the "ears" engage the notches of the lower tube.
5. Angle the feed tube towards the upper tube and re-install the retention pin into the bracket.
6. Re-attach the upper links by sliding the black plastic bushings inward and connecting the links.

WARNING

The nosepiece is not to be removed!

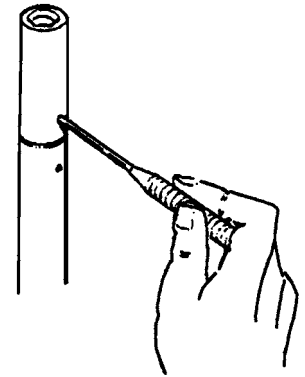
1. The nosepiece is under spring-loaded pressure. Attempting to remove the nosepiece could cause personal injury.
2. See warning sticker on tool!
3. Contact 1-800-633-3800 to locate your nearest authorized OMG Roofing Products AccuTrac Distributor and Service Center.

Screw Gun Removal and Replacement

1. Loosen the star knob assembly on the screw gun motor clamp and rotate the screw gun in the counterclockwise direction until the threads disengage.
2. The screw gun must be raised straight up to allow the screw gun and the attached drive shaft to be removed from the tool.
3. When the assembly is free, pull the drive shaft from the screw gun. To re-attach the screw gun, reverse the above process. Be careful not to over-tighten the screw gun as this may cause the nosepiece of the screw gun to fall off.

Drive Shaft, Hex Pin Insert and Bit(s)

1. Remove the screw gun and drive shaft assembly as described above. Separate the screw gun from the drive shaft by simply pulling on the shaft from the screw gun.
2. Carefully inspect the drive shaft, spring pin hex insert, Phillips cap and bit assemblies for excessive wear, cracks and/or damage of any kind. If either the shaft, spring pin hex insert, Phillips cap or bits require replacing, use assembly part number 6634910 (Universal drive shaft), 6606910 (spring pin hex insert), 6722910 (1.4" length reversible hex bit), 6637910 (Phillips cap) and 6624910 (Phillips bit insert).
3. If only the drive bit needs to be replaced, first locate where the spring pin insert holds the Phillips cap or hex bit, then press in on the spring pin to affect release.
4. When replacing a Phillips bit, insert a new bit into the Phillips cap then fit it over the end of the drive shaft, press in on the spring pin while aligning the hole in the cap or bit and push in until the spring pin snaps into place.
5. To re-install the hex drive, simply fit it over the end of the drive shaft, press in on the spring pin while aligning the hole in the hex drive and push in until the spring snaps into place.
6. Re-install the drive shaft assembly into the screw gun making sure it snaps into place.
7. Lower the drive shaft/screw gun assembly into the AccuTrac tool and rotate the screw gun clockwise until tight.
8. Rotate the screw gun to properly align for operation. When set, securely tighten the star knob on the motor clamp assembly. Do not over-tighten the screw gun.



Ejector Blade Insert Discs

1. If the ejector blade insert discs are worn and need to be replaced, the ejector blade assembly must first be removed from the tool.
2. Remove the two socket head cap screws that connect the ejector blade to the drive bar. Withdraw the ejector blade and take the assembly to a clean working surface.
3. The ejector blade insert discs are fastened to the blade with two socket head cap screws. The screws are secured with a retaining compound and they must be heated before they can be removed. This is best done if heat is applied with a small propane torch.

CAUTION

USE CARE TO AVOID PERSONAL INJURY OR HEAT DAMAGE TO SURROUNDINGS.

4. Remove the two screws and the two insert discs and replace with new discs.
5. Coat the thread of the screws with retaining compound and securely tighten them. Allow 24 hours for the compound to cure.
6. Insert the ejector blade into the tool, align it with the drive blade, insert and securely tighten the two socket head cap screws to fasten the ejector blade to the drive blade.

Clearing Fastener and Plate Jams

1. Remove the feed tube (follow directions as described on page 5 of this manual) to access the junction where most fastener jams occur. You should be able to clear the fastener(s) from the nosepiece.
2. In some cases it may be necessary to remove the jaws in the end of the nosepiece to fully access the jam. The jaws can be removed by removing the O-ring that holds them in the nosepiece.
3. For clearing plate jams, first make sure the tool is completely retracted in its full upright position. This may require that you tug upwards on the tool. Most likely, a plate will shuttle into the proper place.
4. If the plate remains jammed, remove the stack of plates from the holder. First, attempt to cycle the ejector blade by quickly compressing the tool downward. The jammed plate should dislodge. If it does not, you will need to remove the plate manually as it is most likely stuck underneath the gate. This may require a pair of pliers. Take care not to damage the ejector blade or gate mechanism.
5. Once the jammed plate is removed, re-install the plates in the plate hold.

Cleaning Procedure

1. The linkages, ejector blade and housing should be cleaned weekly with a commercial solvent.
2. Special attention should be paid to the linkage connections and the groove in the casting (black base) that holds the ejector blade. Be sure these grooves are free of burrs, asphalt and dirt.
3. Once clean, re-lubricate the ejector blade track with Tri-Flow or a Teflon-based lubricant.
4. The gate should also be checked periodically to ensure it is not sticking. If it is, clean with a degreaser and re-lubricate.

Troubleshooting Problems

Problem: Plates Not Feeding Smoothly or Completely

POTENTIAL CAUSE	REMEDY
Plates have been inserted upside down	Remove plates from plate hold and reinstall so the notch in the plate fits the extrusion in the plate hold.
Dirty ejector blade and/or guides	Clean the ejector blade and/or guides with degreaser.
Gate is sticking	Clean the gate with a degreaser.
Ejector blade screws are loose	Remove the screws, clean the screws and threaded holes. Apply Loctite 242 and reinstall screws.
Ejector blade insert screws are loose	Remove the screws, clean the screws and threaded holes. Apply Loctite 242 and reinstall screws.
Ejector blade insert undercut is clogged	Clean out the undercut.
Plate retaining spring is not completely seated	Turn the handle clockwise and gently pull upward.
Nosepiece is bent	Call 1-800-633-3800 for service. Do not attempt to remove nosepiece.
Plate stop screws are loose	Remove the screws, clean the screws and threaded holes. Apply Loctite 242 and reinstall screws.
Plate rod is not completely seated	Turn handle clockwise and gently pull upward.

Problem: Missing or Skipped Plates

POTENTIAL CAUSE	REMEDY
Plate is bent or previously used	Disconnect upper links from the feed tube and slide ejector blade forward. Remove suspect plate(s). Reconnect upper links and continue.
Ejector blade insert disc(s) is/are missing	Replace missing insert.
Incorrect plates are being used	Use only OMG Roofing Products AccuTrac plates.
Ejector blade insert disc undercuts are dirty/clogged	Clean out undercuts.

Problem: Screws Not Feeding or Installing Properly

POTENTIAL CAUSE	REMEDY
Wrong bit installed	Use only AccuTrac drive bits. #3 Phillips drive bit 6624910 — 1.4" reversible hex bit 6722910.
Obstructed feed tube	Clean or replace the feed tube.
Two screws jammed in feed tube or nosepiece	Remove feed tube and dislodge screws.
Screws are too long	Screws must not exceed 6" in length.
Nosepiece jaws are installed upside down	Jaws must be installed with beveled edge facing upward.
Drive shaft collar is broken	Replace drive shaft.
Anti-jam mechanism is dirty or stuck	Clean anti-jam mechanism. Check to see if springs are activating properly. Replace if needed.

Problem: Plate Not Seating Tightly

POTENTIAL CAUSE	REMEDY
Improper depth adjustment	Tighten the depth adjustment.
Screw gun is in reverse	Make sure switch is in forward position.
Incorrect drive bit, or worn/broken bit	Check to make sure correct drive bit is installed. Replace worn or broken drive bits.
Nosepiece jaws are installed upside down	Jaws must be installed with beveled edge facing upward.
Screw gun not properly installed or fully tightened	Check screw gun; tighten if necessary.
Excessive build-up of material on wheels/casting	Remove built-up material.
Obstruction in tubes and/or casting	Check upper and lower tubes and casting, remove any obstructions.

Problem: Tool Will Not Retract into Full Upward Position

POTENTIAL CAUSE	REMEDY
Operator is not allowing tool to fully retract	Downward pressure on tool must be fully released after the plate has been fastened. Tool should “spring” up into correct position. If necessary, tug upwards.
Ejector blade or tubes are dirty	Clean and oil ejector blade and tubes.
Nosepiece is bent or damaged	Call 1-800-633-3800 for service. Do not attempt to remove nosepiece.
Fastener wedged between feed tube and nosepiece	Remove feed tube and clear fastener jam.

Problem: Tool is Sluggish

POTENTIAL CAUSE	REMEDY
Ejector blade needs lubricating	Lubricate the ejector blade.
Dirty upper and lower tubes, ejector blade guides and drive bar slots	Remove debris. Clean all parts with a degreaser and lubricate.
Upper and/or lower tubes are bent or damaged	Replace worn or damaged tubes as needed.
Nosepiece retaining screw is worn or the nosepiece is damaged	Call 1-800-633-3800 for service. Do not attempt to remove nosepiece.

If you have followed the recommendations above, but your problems persist, please call the OMG Roofing Products Technical Services Department at 1-800-633-3800.

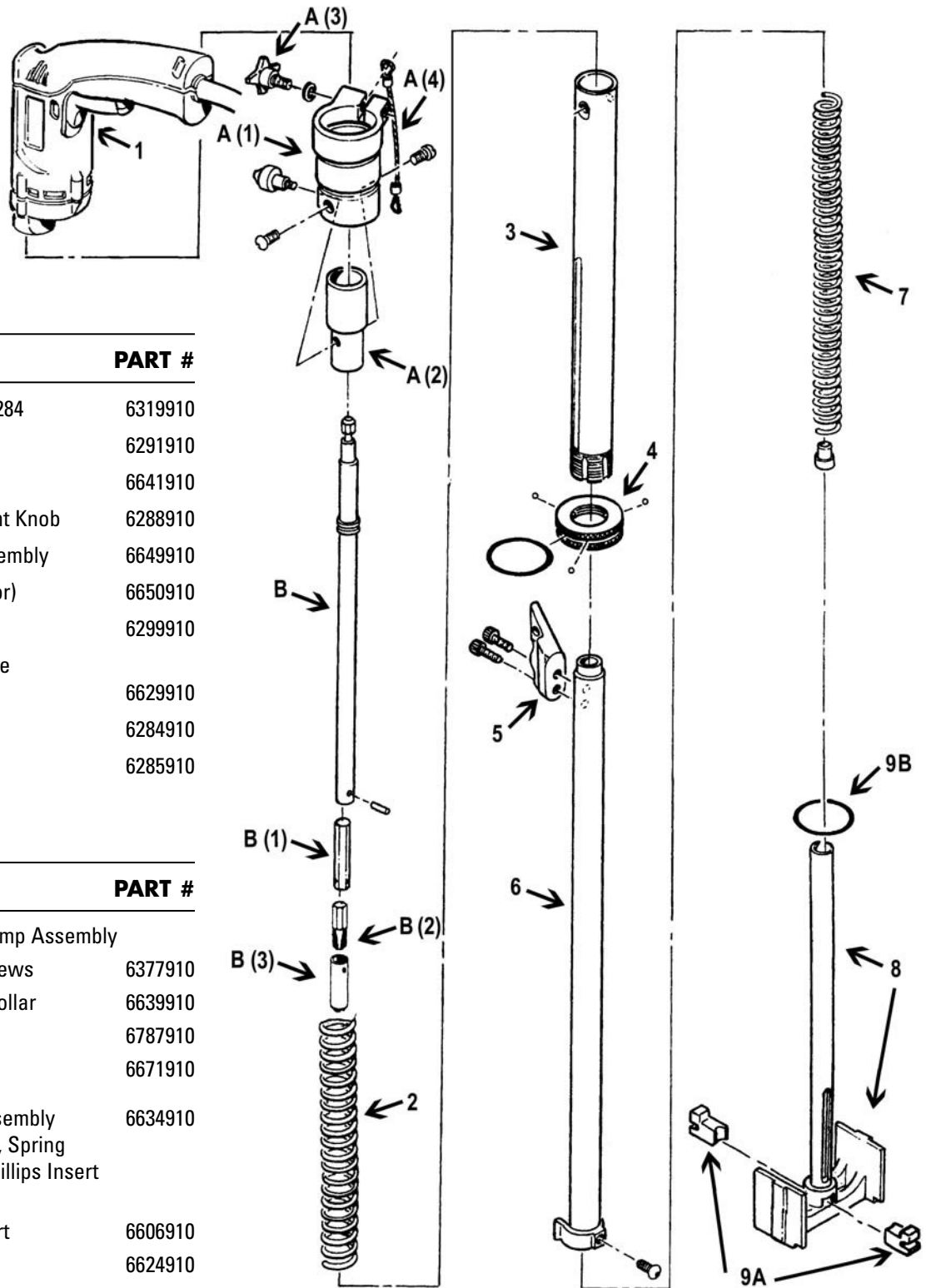
AccuTrac Tool Parts Breakdown

Parts Listing

KEY DESCRIPTION	PART #
1 Screw Gun, DeWalt, DW284	6319910
2 Upper Spring	6291910
3 Upper Tube Body	6641910
4 Depth of Drive Adjustment Knob	6288910
5 Feed Tube Mounting Assembly	6649910
6 Lower Tube Body (exterior)	6650910
7 Lower Spring	6299910
8 Nosepiece (not removable from lower tube body)	6629910
9A Nosepiece Jaws	6284910
9B O-Ring for Jaws	6285910

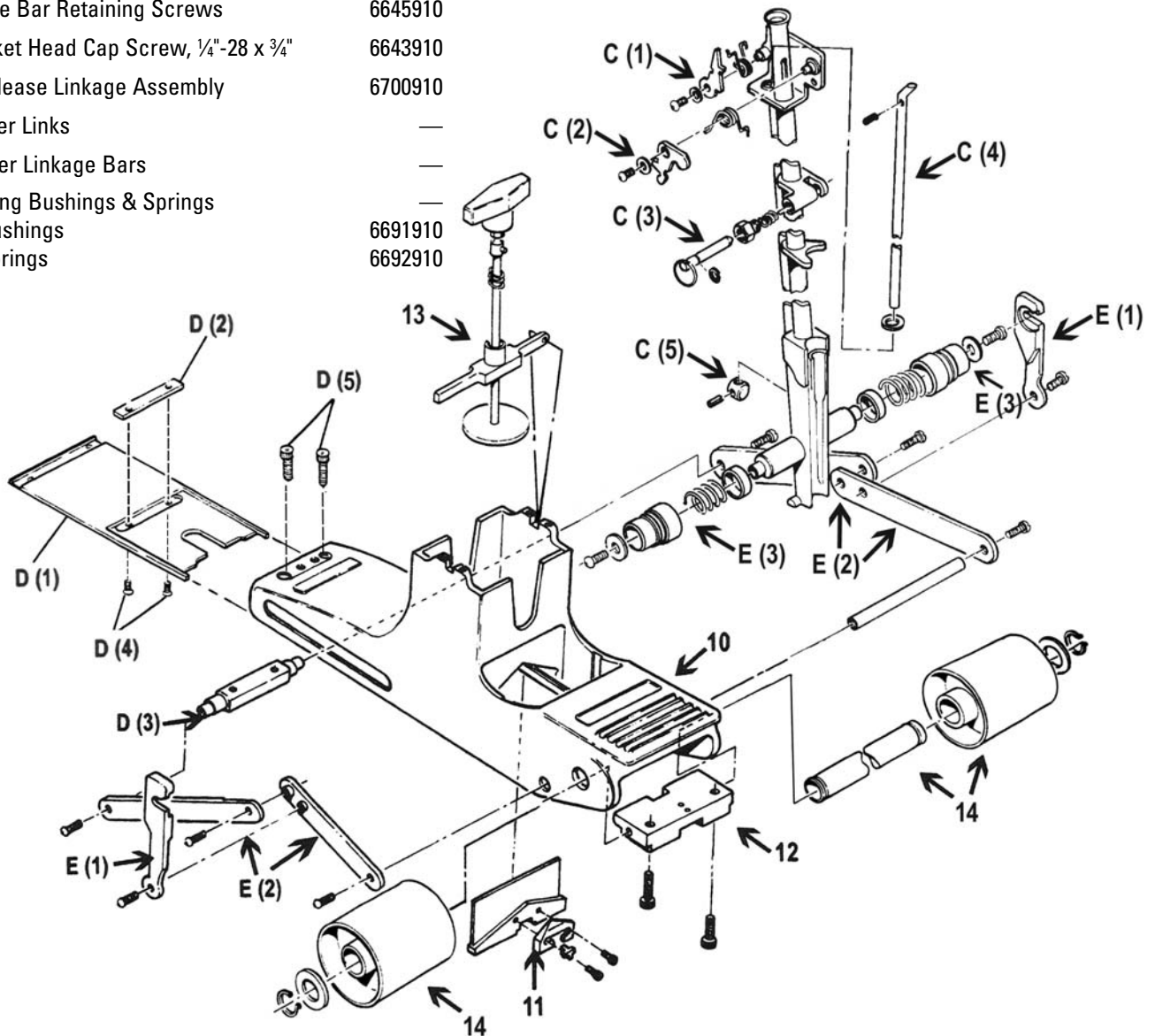
Assemblies

KEY DESCRIPTION	PART #
A Screw Gun Mounting Clamp Assembly	
A(1) Upper Mount w/Screws	6377910
A(2) Nutless Mounting Collar	6639910
A(3) Star Knob	6787910
A(4) Latch Cable	6671910
B Universal Drive Shaft Assembly Includes Drive Shaft B(1), Spring Pin Hex Insert B(2), #3 Phillips Insert Bit and Phillips Cap	6634910
B(1) Spring Pin Hex Insert	6606910
B(2) #3 Phillips Insert Bit	6624910
B(3) Phillips Cap	6637910
1.4" Length Reversible Hex Bit	6722910
#3 Square Drive Bit	6693910



Assemblies

KEY DESCRIPTION	PART #
C Dual Lever Anti-Jam Feed Tube Assembly	6791910
C(1) Upper Anti-Jam Lever & Spring	6784910
C(2) Lower Anti-Jam Lever & Spring	6785910
C(3) Pull Pin & Spring (attaches Feed Tube to Upper Tube Body)	6786910
C(4) Lever Actuator Rod	6788910
C(5) Actuator Nub	6790910
D Ejector Blade Assembly, 3" Square	6653910
D(1) Ejector Blade Plate	6675910
D(2) Ejector Blade Insert	6640910
D(3) Ejector Blade Drive Bar	6632910
D(4) Drive Bar Retaining Screws	6645910
D(5) Socket Head Cap Screw, 1/4"-28 x 3/4"	6643910
E Quick Release Linkage Assembly	6700910
E(1) Upper Links	—
E(2) Lower Linkage Bars	—
E(3) Sliding Bushings & Springs	—
• Bushings	6691910
• Springs	6692910



Other Parts & Accessory Listing

KEY DESCRIPTION	PART #
10 Base Casting	—
11 Gate with Plate Hold Mechanism	8310020
12 Plate Stop	—
13 Flexible Plate Alignment Shaft	6724910
14 Rear Wheels with Axle	6701910
NA AccuTrac Case (not shown)	6631910

WARNING

ALL PARTS MUST BE PERIODICALLY INSPECTED AND REPLACED IF WORN OR BROKEN. FAILURE TO DO THIS CAN AFFECT A PRODUCT'S OPERATION AND CAUSE PERSONAL INJURY.

Cleaning and Maintenance Procedures

General

This procedure is a simple and effective way to clean your AccuTrac tool to maintain reliable operation. Regular cleaning and lubrication will also extend part life and ensure smooth operation.

The following items are needed for proper maintenance:

1. Wire brush, putty knife, cloth rag and an aerosol "safety solvent."
2. A Teflon-based lubricating oil, *i.e.*, Tri-Flow™
3. Allen wrenches ($\frac{3}{8}$ " and $\frac{3}{16}$ ") and Loctite® Removable Threadlocker (Blue Loctite).



Dismantling the Tool

Dismantling the AccuTrac for routine maintenance:

1. Disconnect the upper link from the feed tube assembly by sliding the black plastic bushings inward and push the upper link forward to disengage. Repeat the process for the opposite upper link. The tool can now be removed from the base by pulling on the tool.
2. Once the tool is separated from the base you can remove the feed tube from the upper tube by pulling on the spring-loaded retention pin and separating it from the bracket on the upper tube. The feed tube should now release from the tool.



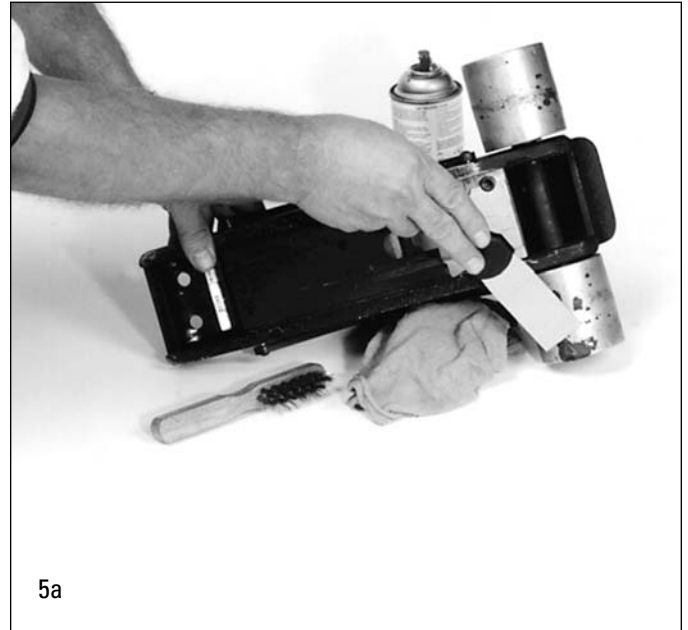
3. Wipe nosepiece with clean cloth.

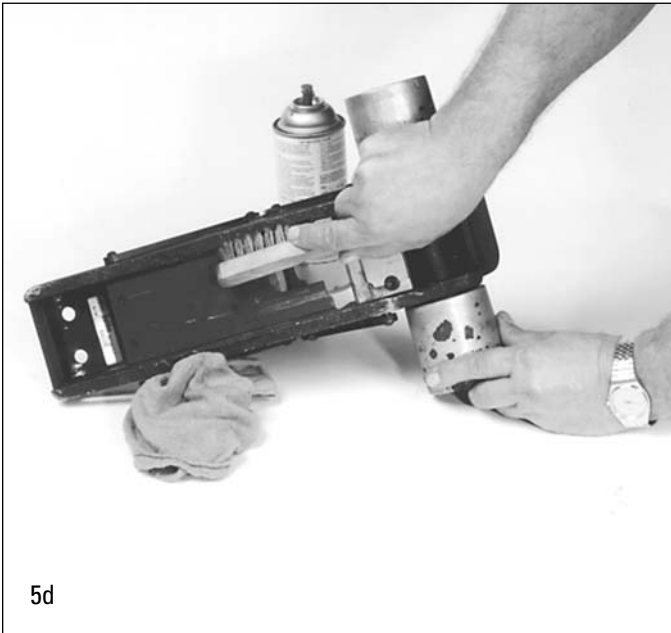


4. Wipe lower tube with clean cloth.

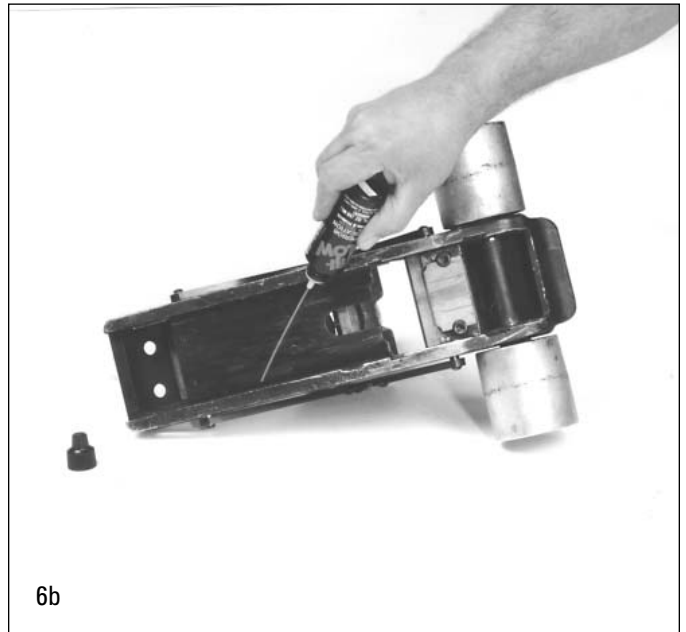


5. Inspect the wheeled-base assembly for build-up of asphalt, adhesives or debris. Spray with safety solvent and remove foreign material from the linkage and track ejector blade. If your AccuTrac has been used for extended periods of operation or under extremely dirty operating conditions, it may be necessary to soak the wheeled-base assembly in a pan of safety solvent or parts cleaning tank.





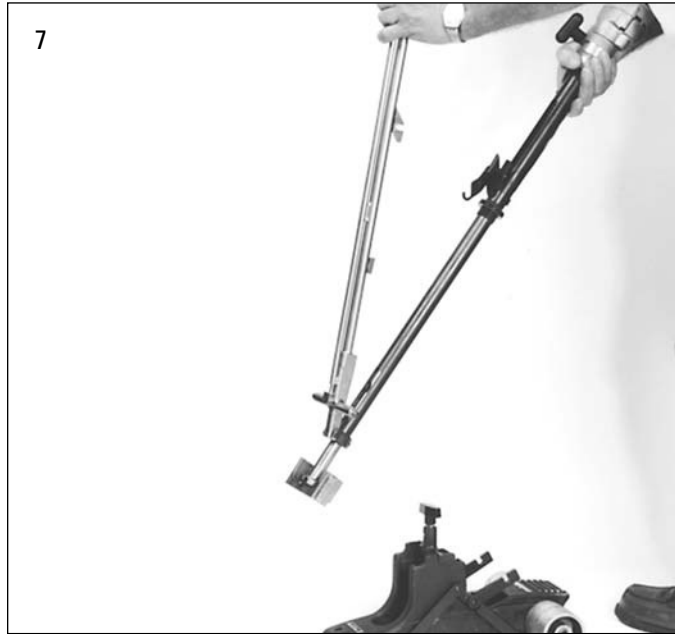
6. Prior to reassembling the tool, lubricate the **linkage** and **ejector blade track** using a Teflon-based lubricant, *i.e.*, Tri-Flow™ making sure to wipe excess lubricant from tool.



7. Reassemble the tool by reversing disassembly procedures on previous pages.

CAUTION

FEED TUBE MUST BE PROPERLY HOOKED ON LOWER TUBE CASING TO ENSURE PROPER TOOL OPERATION. INCORRECT ASSEMBLY WILL LEAD TO FASTENER MISFEEDS OR OVERDRIVEN FASTENERS.



8. Use Allen wrenches and (Blue) Loctite® to ensure that linkage screws are tightened securely.





AccuTrac[®]

FASTENING SYSTEM

Herramienta Ergonómico para la Fijación de Aislamiento

Manual

¡IMPORTANTE!

**Guarde este manual y
leyólo completamente
antes del uso.**



153 BOWLES ROAD
AGAWAM, MA 01001
800-633-3800
WWW.OLYFAST.COM



ALERTA

Quando se usan herramientas eléctricas, deben siempre seguirse las precauciones de seguridad para reducir el riesgo de incendio, sacudida eléctrica, y daño personal. Si no se siguen estas instrucciones el resultado puede ser lesiones personales severas.

Lea Todas las Instrucciones

Consideraciones Generales de Seguridad

1. Antes de usar la herramienta, familiarícese con todas las instrucciones de operación.
 2. No use la herramienta para un propósito no intencionado.
 3. Si no se usan gafas de seguridad con protección a los lados el resultado puede ser una lesión severa en el ojo o ceguera. Siempre use gafas de seguridad con protección a los lados que conformen con la Norma ANSI Z87.1.
 4. Mantenga el área de trabajo limpia y bien iluminada. La oscuridad, las áreas de trabajo desordenadas y los bancos de trabajo son una invitación para sufrir daños.
 5. ¡Vístase de forma apropiada! Nunca opere la herramienta llevando ropa suelta o joyas. Pueden enredarse en las partes en movimiento de la herramienta.
 6. Mantenga el balance con los pies en todo momento:
 - No use la herramienta en una posición incómoda.
 - No trate de ir más allá de las propias posibilidades.
 7. ¡Manténgase alerta! ¡Vigile lo que hace! ¡Use sentido común! ¡No opere la herramienta cuando esté cansado!
4. No abuse de la herramienta:
 - Mantenga el mango de la herramienta seco, limpio y libre de gasolina o grasa.
 - Nunca cargue la herramienta por el cordón y no le dé un tirón para desconectarlo del receptáculo.
 - Mantenga siempre el cordón alejado del calor, gasolina o de bordes afilados.
 - Siempre guarde una herramienta en desuso en un lugar seco, alto o cerrado con llave.
 - Siempre desconecte la herramienta cuando no esté en uso o antes de darle mantenimiento.
 - Para evitar que la herramienta empiece a trabajar de forma no intencional, nunca transporte una herramienta que esté conectada con el dedo en el interruptor. Asegúrese que el interruptor esté en la posición APAGAR (*off*) cuando la conecte.
 5. Mantenga la herramienta con cuidado. Inspeccione si hay partes dañadas. Antes de volver a usar la herramienta, la cubierta de protección u otra parte que esté dañada debe ser revisada cuidadosamente para determinar que volverá a operar de forma debida y que volverá a operar la función que se espera. Inspeccione que las partes móviles se encuentren alineadas, y que se encuentren vinculadas, revise si hay partes rotas, rozando otras o si existe cualquier otra condición que pueda afectar su operación. La cubierta de protección u otra parte dañada debe ser reparada de forma apropiada o reemplazada en un centro de servicio autorizado a menos que esté indicado de otra forma en cualquier parte en este manual de instrucción. Reemplace los receptáculos que no funcionan en un centro de servicio autorizado. No use la herramienta si el interruptor no hace funcionar a la herramienta en la posición ENCENDER (*on*) o APAGAR (*off*).
 - Cuando le dé mantenimiento a la herramienta con aislamiento doble, use partes idénticas de reemplazo.
 - Mantenga la herramienta limpia para un mejor y más seguro rendimiento.
 - Inspeccione el cordón de la herramienta periódicamente y si está dañado, hágalo reparar en un centro de servicio autorizado.
 - Inspeccione el cordón de extensión periódicamente y reemplácelo si está dañado.

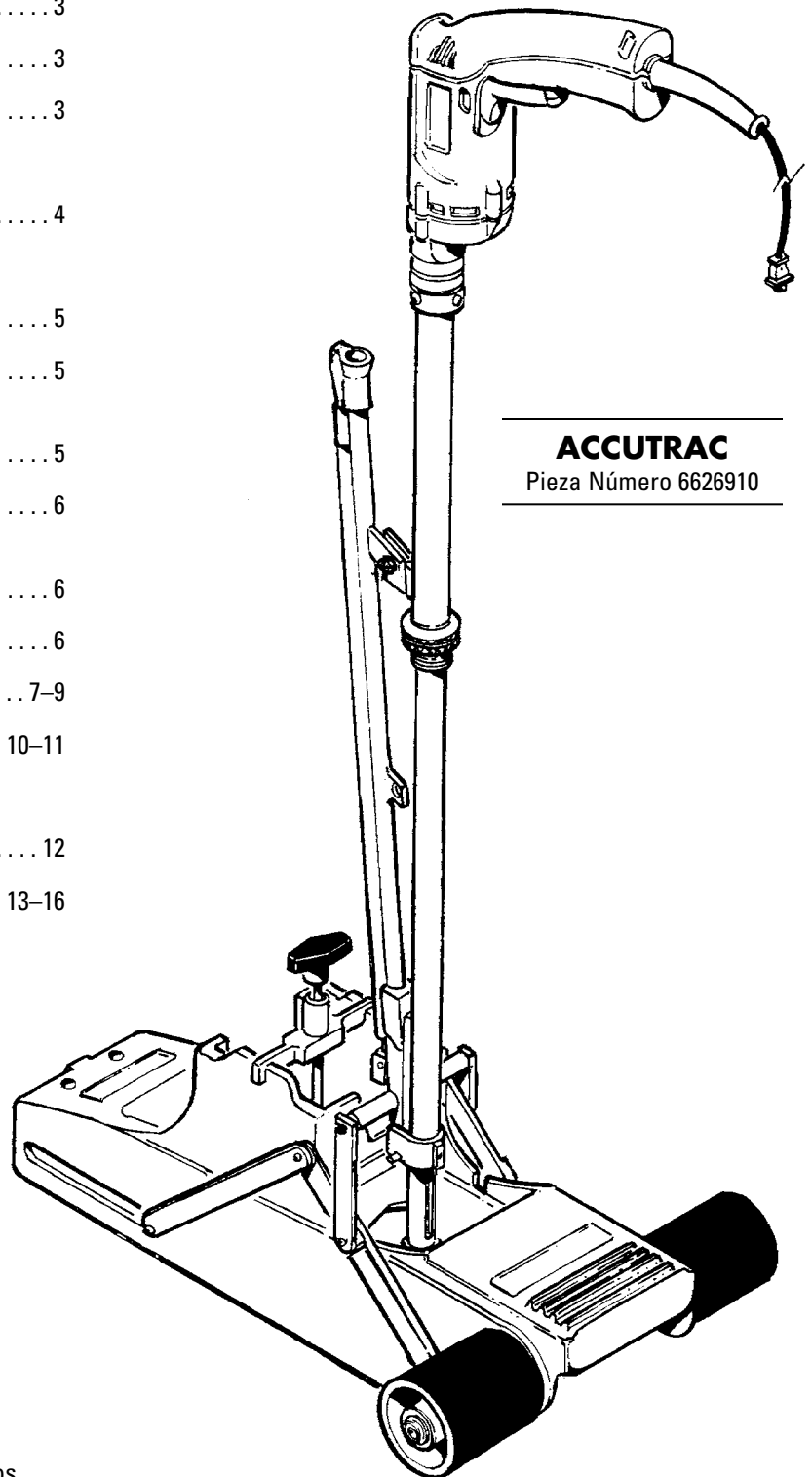
Procedimientos de Seguridad para las Herramientas Eléctricas

1. Cuídese de las sacudidas eléctricas.
2. Considere el entorno de su área de trabajo:
 - Nunca opere la herramienta en lugares húmedos o mojados.
 - Prevenga el contacto del cuerpo con superficies bajo tierra, como las tuberías.
 - Use solamente cordones de extensión que estén hechos para el uso externo al descubierto y que lo tengan indicado de esa forma.
 - Use guantes de goma y botas que no resbalen cuando trabaje al aire libre.
 - No exponga las herramientas de motor a la lluvia.
 - Nunca opere la herramienta en presencia de líquidos o gases inflamatorios.
3. Nunca permita que los visitantes toquen la herramienta o los cordones de extensión. Todos los visitantes deben mantenerse lejos del área de trabajo.

GUARDE ESTAS INSTRUCCIONES

Índice

Instrucciones Generales de Seguridad	1
Garantía y Remedio, Calibre del Cable	3
Instrucciones de Operación	
General	3
Cómo cargar las Planchas	3
Operación de la Herramienta	3
Ajustes	
Ajuste Profundo	4
Separación y Cambio de las Partes	
Separación e Cambio del Tubo de Alimentar	5
Separación y Cambio de la Pistola con Rosca	5
Eje de Transmisión, Clavija Hexagonal de Inserción y Broca(s)	5
Discos que se Insertan en la Hoja de Expulsión	6
Cómo desatascar los tornillos y los atascos de la plancha	6
Instrucciones de Limpieza	6
Detección de Problemas	7-9
Lista de las Partes	10-11
Procedimientos de Limpieza y Mantenimiento	
General	12
Para Desarmar la Herramienta	13-16



ACCUTRAC
Pieza Número 6626910

Derechos registrados © 2009. Todos derechos reservados.

Garantía y Remedio

TODAS LAS GARANTÍAS DE LOS PRODUCTOS DESCRITOS AQUÍ, EXPRESADAS O IMPLICADAS, INCLUYENDO LAS GARANTÍAS DE MERCADIBILIDAD Y AJUSTE PARA PROPÓSITOS PARTICULARES ESTÁN ESPÉCIFICAMENTE EXCLUÍDAS, EXCEPTO POR LAS SIGUIENTES: OMG Roofing Products reparará o reemplazará, como única opción, cualquier parte de una herramienta la cual dentro de los 90 días después de la venta efectuada por OMG Roofing Products o sus distribuidores, OMG Roofing Products encuentra que tiene defectos en su material o su fabricación, excluyendo el desgaste normal por uso.

ESTA ES LA ÚNICA GARANTÍA DE OMG ROOFING PRODUCTS Y EL ÚNICO REMEDIO DISPONIBLE AL DISTRIBUIDOR O COMPRADOR.

Aviso

La herramienta AccuTrac fue diseñada para uso con planchas cuadradas (aislador) de 3" y tornillos aprobados y fabricados por OMG Roofing Products. OMG Roofing Products no es responsable por daño a la herramienta y/o instalación impropia como resultado de usar tornillos y/o placas diferentes a las descritas con anterioridad.

Nota Importante Antes de Usar la Herramienta

Los cordones de extensión tienen que ser de un tamaño adecuado de cable (AWG, (por sus siglas en inglés) o Calibre Americano de Cable) para que sean seguros, para prevenir pérdida de energía y para evitar que se re-calienten. Para determinar el tamaño mínimo que se requiere, refiérase a la tabla siguiente:

Largo del Cordón en pies	25'	50'	75'	100'	125'	150'
Tamaño del Cable (Calibre)	18	16	14	14	12	12

Instrucciones de Operación

General

1. Use la herramienta solamente con planchas cuadradas (aislador) de 3" y tornillos aprobados y fabricados por OMG Roofing Products.
2. Al comenzar cada día, pase un paño a los tubos y a la parte de abajo de la plancha de expulsión. Engrase las conexiones y la hoja del expulsor de planchas, si es necesario, entonces quite el seguro de la herramienta.
3. Cargue el sostenedor de la plancha con las planchas apropiadas.
4. Asegúrese que la pistola con rosca está en la posición HACIA ADELANTE (*forward*) y que NO está fija en la posición ENCENDER (*on*). Conecte la herramienta en la fuente de energía apropiada.
5. Al final del día, sacuda la acumulación de polvo de los tubos y de la parte de abajo de la plancha de expulsión.
6. Engrase todas las partes móviles. El exceso de lubricante se evaporará durante la noche.
7. Vuelva a poner el seguro de la herramienta y guárdela en su estuche.

Cómo Cargar las Planchas

1. Apriete y gire el mango de la plancha de retención en dirección contraria a las manecillas del reloj y levante la varilla de retención a su posición extendida.
2. Saque las planchas pre-empaquetadas de la caja. Alinee la hendidura de las planchas con el saliente en la parte de atrás del sostenedor de la plancha.

3. Deje caer las planchas en el sostenedor, resbale la varilla de retención hacia abajo, entonces empuje y gírela en dirección a las manecillas del reloj para asegurar el mango en posición.

Operación de la Herramienta

1. Introduzca un tornillo, con la punta hacia abajo, en el embudo.
2. Comprima totalmente la AccuTrac para permitir que una plancha se dispare de la pila y se mueva hacia la posición para ser conectada al aislador. Al llegar a este punto el tornillo se zafará y dejará caer el tubo de alimentar. Permita la extensión completa de la herramienta, entonces deje caer otro tornillo en el embudo. El tornillo se mantendrá en la boca del embudo hasta que se necesite.
3. Asegure y bloquee el gatillo disparador de la pistola con rosca en la posición ENCENDER (*on*). Al usar el seguro bloqueador esto mantendrá a la pistola con rosca trabajar en forma más fresca. Apriete la herramienta hacia abajo para mover el tornillo a través del aislador hasta que haga contacto con el tablero. Continúe sosteniendo la herramienta hasta que la plancha esté completamente asentada.
4. Permita que la herramienta se retracte y regrese a su posición original. Este movimiento causará que la próxima plancha se dispare de la pila y que el segundo tornillo caiga en el tubo de disparo.
5. Revise que la plancha esté asentada de forma segura y ajuste el ancho del cierre si es necesario.
6. Tire la herramienta hacia atrás en sus ruedas, empújela hacia la posición de aplicación de una nueva plancha en el techo y repita las instrucciones de la "operación de la herramienta".

Ajustes

Ajuste Profundo

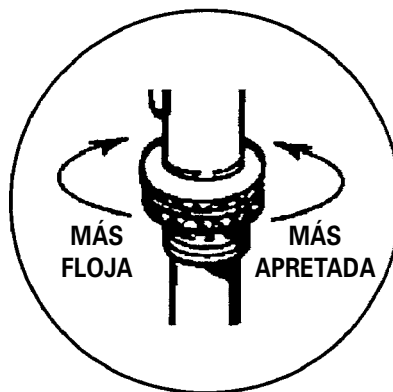
El sobre-uso de la herramienta puede causar pérdida de la placa de metal de la rosca y que no sujete. La herramienta debe ajustarse para que la plancha quede bien ajustada y no dé vueltas libremente en la superficie. La plancha no debe estar tan apretada que cause deforme de la misma.

Para evitar el sobre-uso, se sugiere que el operador deliberadamente empiece con el ajuste bien flojo y entonces despacio haga ajustes hasta alcanzar la tensión deseada.

Los ajustes se hacen usando el aro grande que está colocado en la parte superior del cuerpo del tubo de la herramienta. Al mover el aro hacia arriba hacia la pistola con rosca esto hará que la rosca se ajuste más profundamente (más apretada).

Nota: Si usted no es capaz de hacer que la plancha se "apriete" por medio del ajuste de la tuerca de ajuste profundo, esté seguro que la pistola con rosca esté en la posición hacia delante (no hacia atrás).

TUERCA DE AJUSTE DE VARIACIÓN PROFUNDA



Separación y Cambio de las Partes

Use Siempre Partes de Repuesto de **OMG Roofing Products**

Separación y Cambio del Tubo de Alimentar

1. Desconecte la conexión superior del ensamblaje del tubo de alimentar deslizando el cojinete de plástico negro hacia adentro y apriete la conexión superior hacia arriba para desenganchar. Repita el proceso para el enlace opuesto superior.
2. La herramienta puede ahora sacarse de su base tirando de la herramienta hacia arriba.
3. Una vez que la herramienta se ha separado de la base, usted puede eliminar el tubo de alimentar del tubo superior halando la clavija de retención que está cargada por un resorte y separándola del soporte del tubo superior. El tubo de alimentar ahora debe estar separado de la herramienta.
4. Para volver a instalar el tubo de alimentar, alinee el extremo inferior de forma que las "orejas" enganchen en los broches del tubo inferior.
5. Mueva el tubo de alimentar en ángulo hacia el tubo superior y vuelva a instalar el gancho de retención en el soporte.
6. Vuelva a juntar las conexiones superiores deslizando el cojinete de plástico negro hacia adentro y conectando las uniones de conexión.

ALERTA

¡La pieza delantera (morro) no se quita!

1. La pieza delantera (morro) está cargada bajo presión por un resorte. Intentar eliminar la pieza delantera podrá causar daños personales.
2. ¡Vea la etiqueta de aviso en la herramienta!
3. Llame al 1-800-633-3800 para localizar el Distribuidor AccuTrac autorizado y el Centro de Servicio de OMG Roofing Products más cercano.

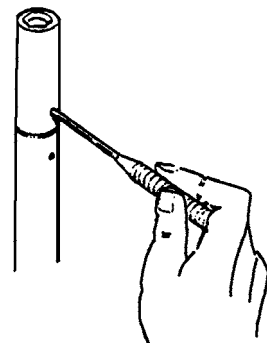
Separación y Cambio de la Pistola con Rosca

1. Afloje el ensamblaje del tirador de estrella en el sujetador de motor de la pistola con rosca y rote la pistola con rosca en dirección contraria a las manecillas del reloj hasta que el filete de la rosca se afloje y se suelte.
2. La pistola con rosca tiene que levantarse en forma vertical hacia arriba para poder separar la pistola con rosca y el eje de transmisión que está pegado a ésta, de la herramienta.

3. Una vez que el ensamblaje está suelto, hale el eje de transmisión de la pistola con rosca. Para volver a conectar la pistola con rosca, haga el proceso anterior en forma contraria. Tenga cuidado de no apretar demasiado la pistola con rosca ya que esto puede causar que la pieza delantera (morro) de la pistola con rosca se caiga.

Eje de Transmisión, Clavija Hexagonal de Inserción y Broca(s)

1. Separe la pistola con rosca y el ensamblaje del eje de transmisión como se describió anteriormente. Separe la pistola con rosca del eje de transmisión simplemente halando el eje de la pistola con rosca.
2. Cuidadosamente inspeccione el eje de transmisión, la clavija hexagonal de inserción con resorte, la tapa Phillips y los ensamblajes de la broca para detectar si han sido sobre-usados, si presentan rajaduras y/o daños de cualquier tipo. Si cualesquiera de las partes, el eje, la hoja del la clavija hexagonal de inserción, la tapa Phillips o las brocas necesitaran cambiarse, use la pieza de ensamblaje número 6634910 (eje de transmisión Universal), la número 6606910 (clavija hexagonal de inserción), la número 6722910 (broca hexagonal reversible), la número 6637910 (tapa Phillips), y la número 6624910 (broca de inserción Phillips).
3. Si solamente la punta guía necesita reemplazarse, primero localice dónde la clavija de inserción de resorte sostiene la tapa Phillips o la broca hexagonal, entonces presione la clavija de resorte para afectar el disparador.
4. Cuando reemplace una broca Phillips, inserte una nueva broca en la tapa Phillips, entonces métala hasta que quepa al final del eje de transmisión, presione la clavija de resorte mientras que alinee la hendidura en la tapa o broca y empuje hasta que el resorte haga un chasquido que indique que cayó en su lugar.
5. Para volver a instalar la guía hexagonal, simplemente colóquela de modo que quepa al final del eje de transmisión, presione la clavija de resorte mientras que alinee la hendidura en la guía hexagonal y empuje hasta que el resorte haga un chasquido indicando que cayó en su lugar.



6. Vuelva a instalar el ensamblaje del eje de transmisión en la pistola con rosca estando seguro que hace un chasquido que indique que cayó en su lugar.
7. Baje el eje de transmisión/ensamblaje de la pistola con rosca hacia la herramienta AccuTrac y rote la pistola con rosca en dirección de las manecillas del reloj hasta que apriete.
8. Haga girar la pistola con rosca para que se alinee adecuadamente para operar. Cuando esté lista, asegure fuertemente el tirador estrella en el ensamblaje del sujetador de motor. No apriete la pistola con rosca más de la cuenta.

Discos que se Insertan en la Hoja de Expulsión

1. Si los discos que se insertan en la hoja de expulsión están desgastados y necesitan reemplazo, el montaje de la hoja de expulsión tiene que quitarse de la herramienta antes que nada.
2. Separe los dos tornillos de cabeza de grena que conectan la hoja de expulsión a la barra de transmisión. Separe la hoja de expulsión y lleve el montaje a una superficie de trabajo que esté limpia.
3. Los discos que se insertan en la hoja de expulsión están agarrados a la hoja con dos tornillos de cabeza de grena. Los tornillos están seguros con un compuesto de retención y tienen que calentarse antes que puedan separarse. La mejor forma de hacer esto es aplicando el calor con una pequeña antorcha de propano.

PRECAUCIÓN

TENGA CUIDADO PARA EVITAR DAÑOS PERSONALES O LESIONES POR CALOR AL ENTORNO

4. Quite los dos tornillos y los dos discos que están insertados y reemplácelos con discos nuevos.
5. Cubra el filete de la rosca de los tornillos con un compuesto de retención y asegúrelos bien fuertes. Déjelos por 24 horas para que el compuesto haga efecto.
6. Introduzca la hoja de expulsión en la herramienta, póngala en línea con la hoja de transmisión, inserte bien apretados los dos tornillos de cabeza de grena para apretar la hoja de expulsión a la hoja de transmisión.

Cómo Desatascar los Tornillos y los Atascos de la Plancha

1. Quite el tubo de alimentar (siga las instrucciones descritas en la página 5 de este manual) para llegar al empalme donde ocurren la mayoría de los atascos de los tornillos. Usted debe poder desatascar el(los) tornillo(s) de la pieza delantera (morro).
2. En algunos casos puede ser necesario quitar las mandíbulas que están al final de la pieza delantera para poder tener acceso completo al atasco. Las mandíbulas pueden separarse quitando el aro-O que las aguanta en la pieza delantera.
3. Para desatascar los atascos de las planchas, primero esté seguro que la herramienta se encuentra completamente retraída en su posición más vertical. Esto puede requerir que usted tenga que dar un tirón hacia arriba a la herramienta. Lo más probable es que al hacer esto una plancha se colocará en su lugar apropiado.
4. Si la plancha continuara atascada, separe la pila de planchas del sostenedor de las mismas. Primero, intente mover la hoja de expulsión presionando de forma rápida la herramienta hacia abajo. La plancha atascada debe desplazarse. Si no se desplaza, usted necesita separar la plancha de forma manual ya que posiblemente estará trabada debajo de la abertura. Para esto se requiere un par de alicates. Tenga cuidado de no dañar la hoja de expulsión o el mecanismo de abertura.
5. Una vez que el atasco ha sido solucionado, vuelva a instalar las planchas en el sujetador de planchas.

Instrucciones de Limpieza

1. Las conexiones, la hoja de expulsión y la caja protectora deben limpiarse una vez a la semana con un solvente comercial.
2. Debe prestarse especial atención a las conexiones de uniones y a las ranuras en el molde (base negra) que sujeta la hoja de expulsión. Esté seguro que estas ranuras estén limpias de birutas, asfalto y polvo.
3. Una vez limpia, vuelva a engrasar la plataforma de la hoja de expulsión con un lubricante Tri-Flow o de tipo Teflón.
4. La abertura también debe revisarse periódicamente para asegurarse de que no esté pegajosa. Si lo estuviera, límpiela con un desengrasante y vuélvala a lubricar.

Detección de Problemas

Problema: Las Planchas no se Disparan Suavemente o Completamente

Posible Causa	Remedio
Las planchas han sido insertadas boca abajo	Saque las planchas de la plataforma que las sujeta y vuévalas a instalar de modo que el corte quepa en la extrusión del sujetador de las planchas.
La hoja de expulsión y/o las guías están sucias	Limpie la hoja de expulsión y/o las guías con un desgrasante.
La abertura está pegajosa	Limpie la abertura con un desgrasante.
Los tornillos de la hoja de expulsión están flojos	Quite los tornillos, limpie los tornillos y las roscas de los mismos. Aplíqueles Loctite 242 y vuelva a instalar los tornillos.
Los tornillos de insertar la hoja de expulsión están flojos	Quite los tornillos, limpie los tornillos y las roscas de los mismos. Aplíqueles Loctite 242 y vuelva a instalar los tornillos.
Debajo de la hoja de inserción de expulsión está tupido	Limpie el área debajo de la hoja.
El resorte que retiene la plancha no está completamente asentado.	Mueva el mango en dirección de las manecillas del reloj y suavemente hale hacia arriba.
La pieza delantera está virada o inclinada	Llame al 1-800-633-3800 para obtener servicio. No intente quitar la pieza delantera.
Los tornillos de paro de la plancha están flojos	Quite los tornillos, límpielos al igual que las roscas de los mismos. Aplíqueles Loctite 242 y vuelva a instalar los tornillos.
La varilla de la plancha no está completamente asentada	Mueva el mango en dirección de las manecillas del reloj y suavemente hale hacia arriba

Problema: Planchas que no se Disparan o que se Saltan

Posible Causa	Remedio
La plancha está virada (inclinada) o ha sido usada previamente	Desconecte las conexiones superiores del tubo de alimentar y deslice la hoja de expulsión hacia delante. Saque la(s) plancha(s) sospechosa(s). Vuelva a conectar las conexiones superiores y continúe.
Falta(n) el(los) disco(s) de insertar de la hoja de expulsión.	Reemplace el(los) inserto(s) que falta(n).
Se están usando planchas incorrectas	Use solamente planchas AccuTrac de OMG Roofing Products
Las áreas debajo de la hoja de inserción de expulsión están sucias/tupidas	Limpie las áreas debajo de la hoja.

Problema: Los Tornillos no se Disparan o Instalan Correctamente

Posible Causa	Remedio
Se instaló una broca incorrecta	Use solamente brocas de transmisión AccuTrac. Broca de transmisión Phillips #3 6624910 — broca hexagonal reversible de 1.4" 6722910.
El tubo de alimentar está obstruido	Limpie o reemplace el tubo de alimentar.
Hay dos tornillos atascados en el tubo de alimentar o en la pieza delantera	Quite el tubo de alimentar y cambie de lugar los tornillos.
Los tornillos son muy largos	Los tornillos no deben exceder 6" de largo.
Las mandíbulas de la pieza delantera están instaladas boca abajo	Las mandíbulas tienen que ser instaladas con el borde de corte chaflán hacia arriba.
El cuello del eje de transmisión está roto	Reemplace el eje de transmisión.
El mecanismo de ante-atasco está sucio o trabado	Limpie el mecanismo de ante-atasco. Revise si los resortes están activados apropiadamente. Reemplácelos si fuera necesario.

Problema: La Plancha no está Colocada Fuertemente

Posible Causa	Remedio
Ajuste profundo incorrecto	Apriete el ajuste profundo.
La pistola con rosca está al revés	Esté seguro que el interruptor está en la posición hacia delante.
Broca de transmisión incorrecta, o broca desgastada/rota	Inspeccione para estar seguro que se instaló la broca de transmisión correcta. Reemplace las brocas de transmisión desgastadas o rotas.
Las mandíbulas de la pieza delantera fueron instaladas boca abajo	Las mandíbulas tienen que ser instaladas con el borde chaflán hacia arriba.
La pistola con rosca no fue instalada correctamente o no está completamente apretada	Inspeccione la pistola con rosca; apriétela si es necesario.
Exceso de material acumulado en las ruedas/molde	Quite el material acumulado.
Obstrucción en los tubos y/o el molde	Inspeccione los tubos superiores e inferiores y el molde, quite cualquiera obstrucción.

Problema: La Herramienta no se Retraerá en Completa Posición Vertical

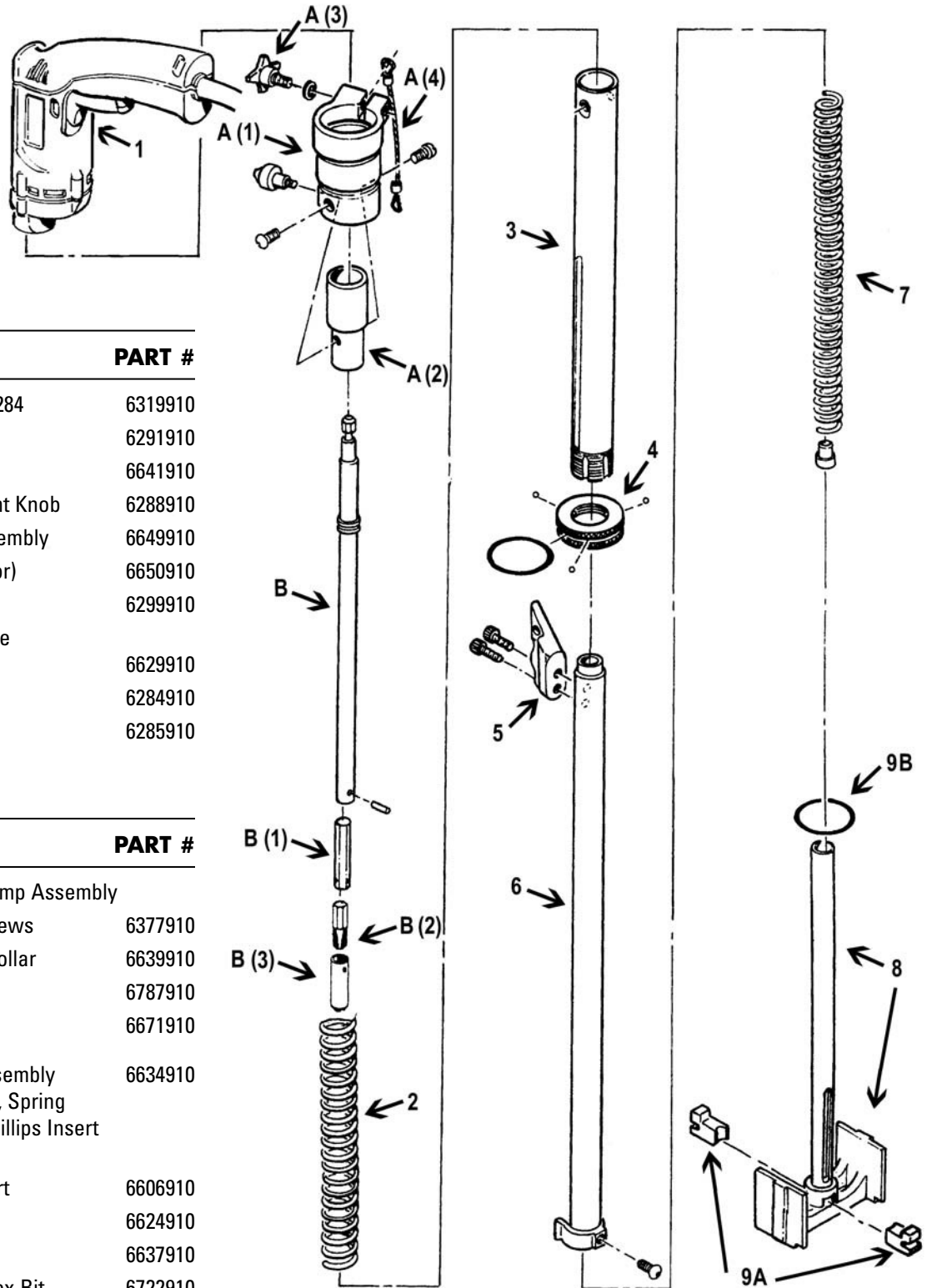
Posible Causa	Remedio
El operador no permite la retracción completa de la herramienta	La presión hacia abajo en la herramienta tiene que cesar completamente después de que la plancha ha sido colocada. La herramienta debe “desdoblarse” hacia su posición correcta. Si fuera necesario, dé un tirón hacia arriba.
La hoja de expulsión o los tubos están sucios	Limpie y engrase la hoja de expulsión y los tubos.
La pieza delantera está virada o dañada	Llame al 1-800-633-3800 para obtener servicio. No intente separar la pieza delantera.
Hay un tornillo embutido entre el tubo de alimentar y la pieza delantera	Saque el tubo de alimentar y limpie el tornillo atascado.

Problema: La Herramienta está Lenta

Posible Causa	Remedio
La hoja de expulsión necesita engrase	Engrase la hoja de expulsión.
Los tubos superiores e inferiores, las guías de la hoja de expulsión y los espacios de la barra de transmisión están sucios	Saque la basura. Limpie todas las partes con un desengrasante y engrase.
Los tubos de arriba y/o de abajo están inclinados o dañados	Reemplace los tubos desgastados o dañados como sea necesario.
El tornillo de retención de la pieza delantera está gastado o la pieza delantera está dañada	Llame al 1-800-633-3800 para obtener servicio. No intente quitar la pieza delantera.

Si usted ha seguido las recomendaciones anteriores, pero sus problemas persisten, por favor llame al Departamento de Servicios Técnicos de OMG Roofing Products al 1-800-633-3800.

Análisis de las Piezas de la Herramienta AccuTrac



Lista de las Piezas

KEY DESCRIPTION	PART #
1 Screw Gun, DeWalt, DW284	6319910
2 Upper Spring	6291910
3 Upper Tube Body	6641910
4 Depth of Drive Adjustment Knob	6288910
5 Feed Tube Mounting Assembly	6649910
6 Lower Tube Body (exterior)	6650910
7 Lower Spring	6299910
8 Nosepiece (not removable from lower tube body)	6629910
9A Nosepiece Jaws	6284910
9B O-Ring for Jaws	6285910

Ensamblajes

KEY DESCRIPTION	PART #
A Screw Gun Mounting Clamp Assembly	
A(1) Upper Mount w/Screws	6377910
A(2) Nutless Mounting Collar	6639910
A(3) Star Knob	6787910
A(4) Latch Cable	6671910
B Universal Drive Shaft Assembly Includes Drive Shaft B(1), Spring Pin Hex Insert B(2), #3 Phillips Insert Bit and Phillips Cap	6634910
B(1) Spring Pin Hex Insert	6606910
B(2) #3 Phillips Insert Bit	6624910
B(3) Phillips Cap	6637910
1.4" Length Reversible Hex Bit	6722910
#3 Square Drive Bit	6693910

Ensamblajes

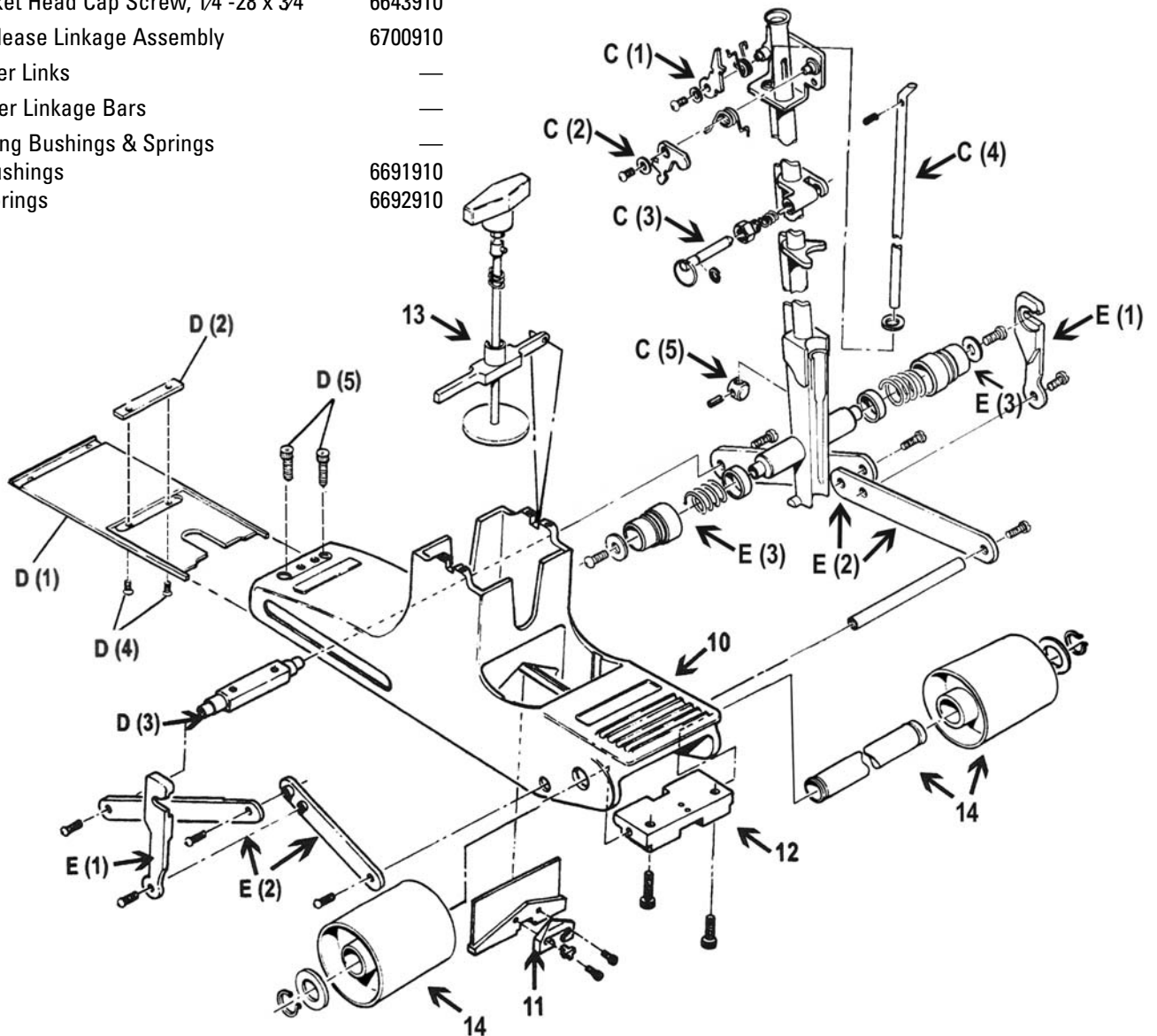
KEY DESCRIPTION	PART #
C Dual Lever Anti-Jam Feed Tube Assembly	6791910
C(1) Upper Anti-Jam Lever & Spring	6784910
C(2) Lower Anti-Jam Lever & Spring	6785910
C(3) Pull Pin & Spring (attaches Feed Tube to Upper Tube Body)	6786910
C(4) Lever Actuator Rod	6788910
C(5) Actuator Nub	6790910
D Ejector Blade Assembly, 3" Square	6653910
D(1) Ejector Blade Plate	6675910
D(2) Ejector Blade Insert	6640910
D(3) Ejector Blade Drive Bar	6632910
D(4) Drive Bar Retaining Screws	6645910
D(5) Socket Head Cap Screw, 1/4"-28 x 3/4"	6643910
E Quick Release Linkage Assembly	6700910
E(1) Upper Links	—
E(2) Lower Linkage Bars	—
E(3) Sliding Bushings & Springs	—
• Bushings	6691910
• Springs	6692910

Otras Piezas y Lista de los Accesorios

KEY DESCRIPTION	PART #
10 Base Casting	—
11 Gate with Plate Hold Mechanism	8310020
12 Plate Stop	—
13 Flexible Plate Alignment Shaft	6724910
14 Rear Wheels with Axle	6701910
NA AccuTrac Case (not shown)	6631910

ALERTA

TODAS LAS PIEZAS TIENEN QUE SER INSPECCIONADAS Y REEMPLAZADAS PERIÓDICAMENTE SI ESTÁN DESGASTADAS O ROTAS. NO HACERLO PUEDE AFECTAR LA OPERACIÓN DEL PRODUCTO Y CAUSAR DAÑOS PERSONALES.



Procedimientos de Limpieza y Mantenimiento

General

Este procedimiento es una forma simple y eficaz para limpiar su herramienta AccuTrac para que mantenga una operación fiable. Una limpieza y engrase en forma regular también extenderá la vida de la herramienta y asegurará una operación en forma suave.

Se necesitan los siguientes artículos para un mantenimiento apropiado:

1. Un cepillo de metal, un cuchillo de masilla, un paño y un "solvente seguro" de aerosol.
2. Un aceite de lubricar con base de Teflón, por ej., Tri-Flow™
3. Unas llaves inglesas (de $\frac{3}{8}$ " y $\frac{1}{16}$ ") y Removible de Roscas Loctite® (Blue Loctite).



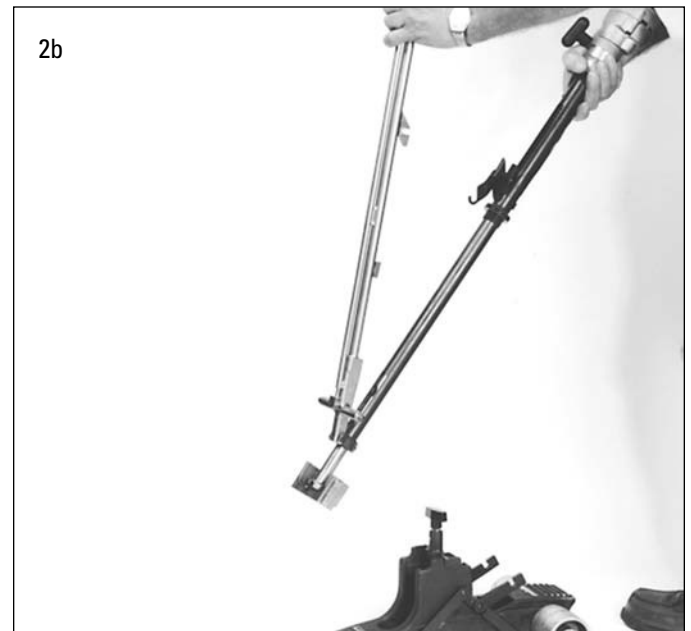
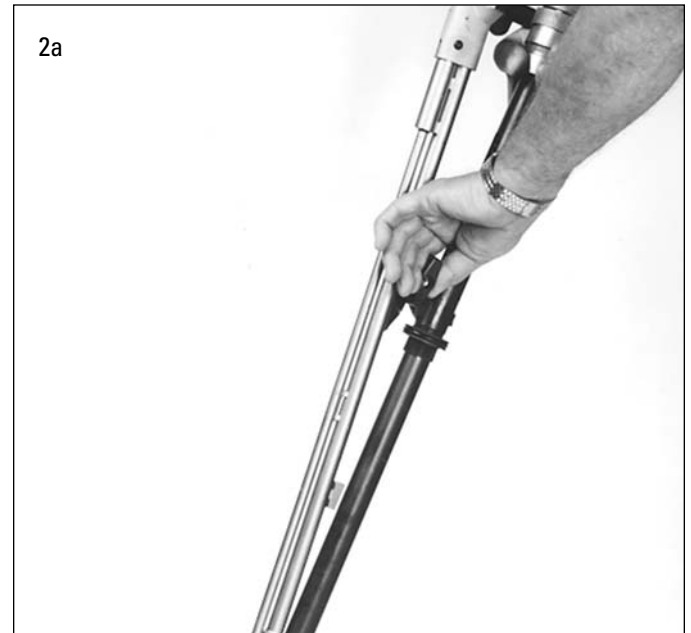
Para Desarmar la Herramienta

Desarmar la herramienta AccuTrac para mantenimiento de rutina:

1. Desconecte la conexión superior del ensamblaje del tubo de alimentar deslizando el cojinete de plástico negro hacia adentro y apriete la conexión superior hacia arriba para desenganchar. Repita el proceso para el enlace opuesto superior.



2. Una vez que la herramienta se ha separado de la base, usted puede eliminar el tubo de alimentar del tubo superior halando la clavija de retención que está cargada por un resorte y separándola del soporte del tubo superior. El tubo de alimentar ahora debe estar separado de la herramienta.



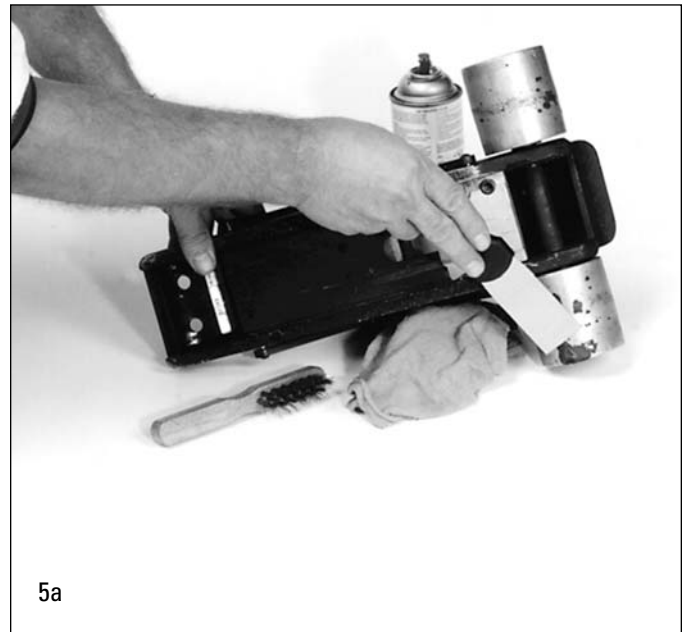
3. Limpie la pieza delantera pasándole un paño limpio.

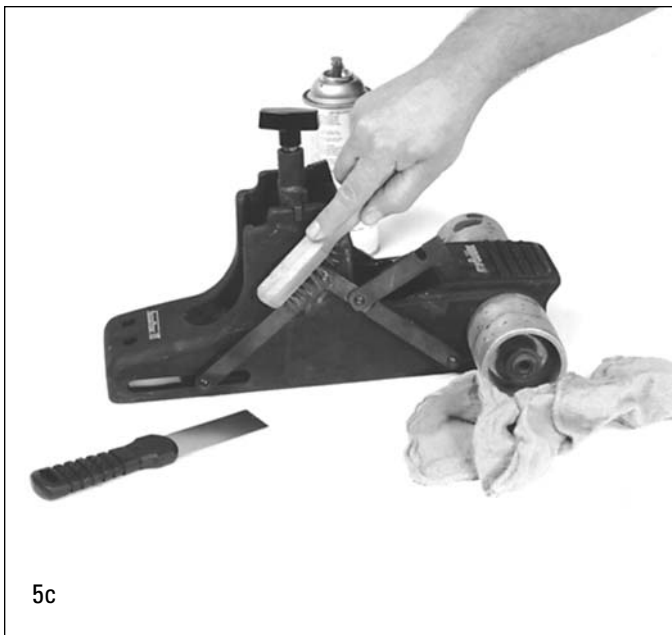


4. Limpie el tubo inferior pasándole un paño limpio.

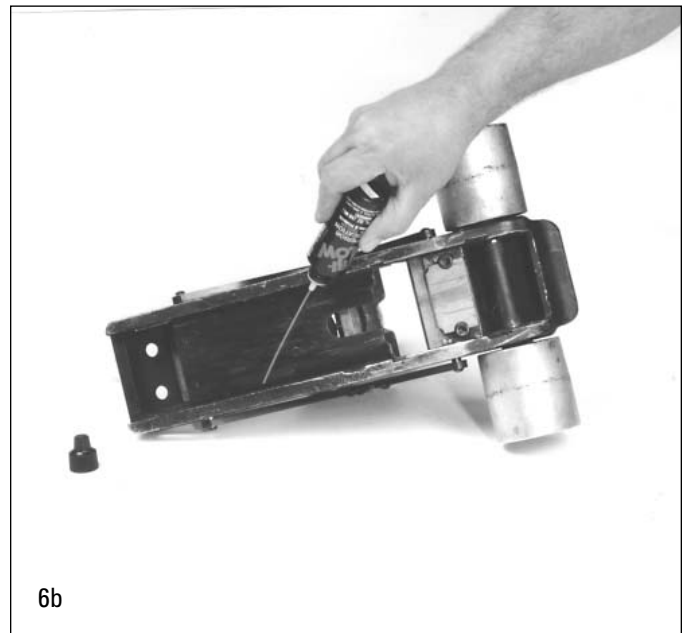
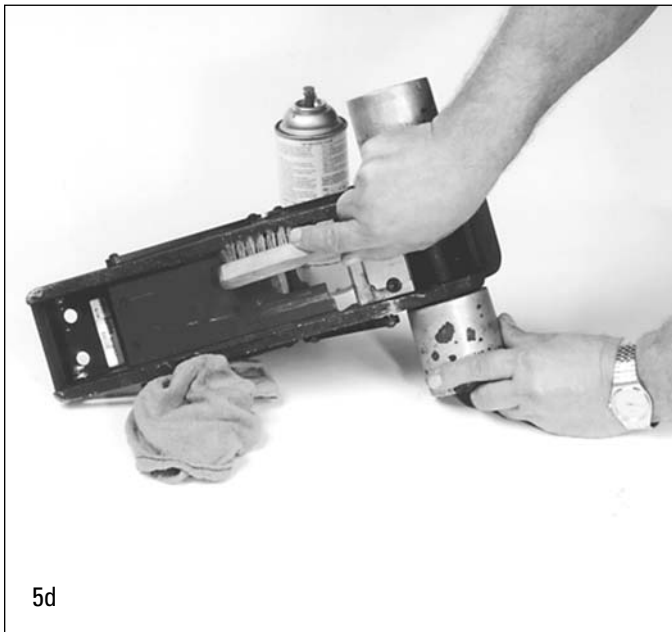


5. Inspeccione si el ensamblaje de la base montada en ruedas presenta depósitos de asfalto, materiales adhesivos o basura. Rocíalo con un solvente seguro y despegue los materiales extraños de las conexiones y de la pista de la hoja de expulsión. Si su herramienta AccuTrac se ha usado por períodos de operación muy largos o bajo condiciones de operación extremadamente sucias, puede ser necesario remojar el ensamblaje de la base montada en ruedas en una palangana con solvente de limpieza o en un tanque con limpiador de partes.





6. Antes de volver a ensamblar la herramienta, engrase la **conexión** y la **pista de la hoja de expulsión** usando un lubricante con base de Teflón, por ej., Tri-Flow™ estando seguro pasar un paño para quitar el exceso de lubricante de la herramienta.



7. Reensamble la herramienta siguiendo las instrucciones de desensamblaje de las páginas anteriores en sentido contrario.

PRECAUCIÓN

EL TUBO DE ALIMENTAR TIENE QUE ESTAR ENGANCHADO CORRECTAMENTE EN EL CUERPO DEL TUBO INFERIOR PARA ASEGURAR UNA OPERACIÓN CORRECTA DE LA HERRAMIENTA. UN ENSAMBLAJE INCORRECTO TRAERÁ POR RESULTADO QUE LOS TORNILLOS NO SE DISPAREN CORRECTAMENTE O QUE SE DISPAREN DEMASIADOS TORNILLOS.



8. Use llaves inglesas Allen y (Blue) Loctite® para asegurarse de que los tornillos de conexión estén apretados de forma segura.

