

# Glass-Boy

## PROFESSIONAL VACUUM LIFTING DEVICE FOR THE SAFE AND RAPID INSTALLATION OF GLASS ELEMENTS.

The GLASS BOY® 111 vacuum lifter has been developed for the professional installation of large and heavy glass elements and it is designed for suspension from a crane, forklift, telehandler or hoist.

The GLASS BOY® 111 is a compact, durable and reliable unit capable of handling elements weighing up to 500Kg with full maneuverability through 360° rotation and 90° tilt.

Machine specification –

- Compact unit with integral lifting eye
- Fully galvanized structural frame
- Full rotation and tilting functions with locking facility
- Powered by internal rechargeable dry cell battery
- Integrated 220/240V battery charger
- Complete with storage and transport trolley to allow easy handling
- Compact dimensions with unit weight of only 40Kg
- Lifting capacity of 500Kg
- Audible warning device and indicator lights for safe vacuum level indication
- Clear battery meter with low battery warning
- Secondary fall arrest straps in compliance with BS-EN 13155
- Full 12-months warranty of all parts excluding suction seals
- Dedicated Northern & Southern Ireland examination, testing and certification service

Complete unit to specification detailed above and supplied with storage and transport trolley and one secondary fall arrest strap

## CONTACT US NOW FOR LATEST PRICES

Delivery periods will vary but are normally 3 to 4 working weeks from confirmation of order.

All information is given in good faith but no liability is assumed or accepted unless agreed in writing with the supplier.

**CLAD-BOY**

**Glass-Boy**

**ROTA-BOY**

**PACK BOY**

**Dublin**  
Unit 57, Cookstown Industrial Estate,  
Tallaght, Dublin 24

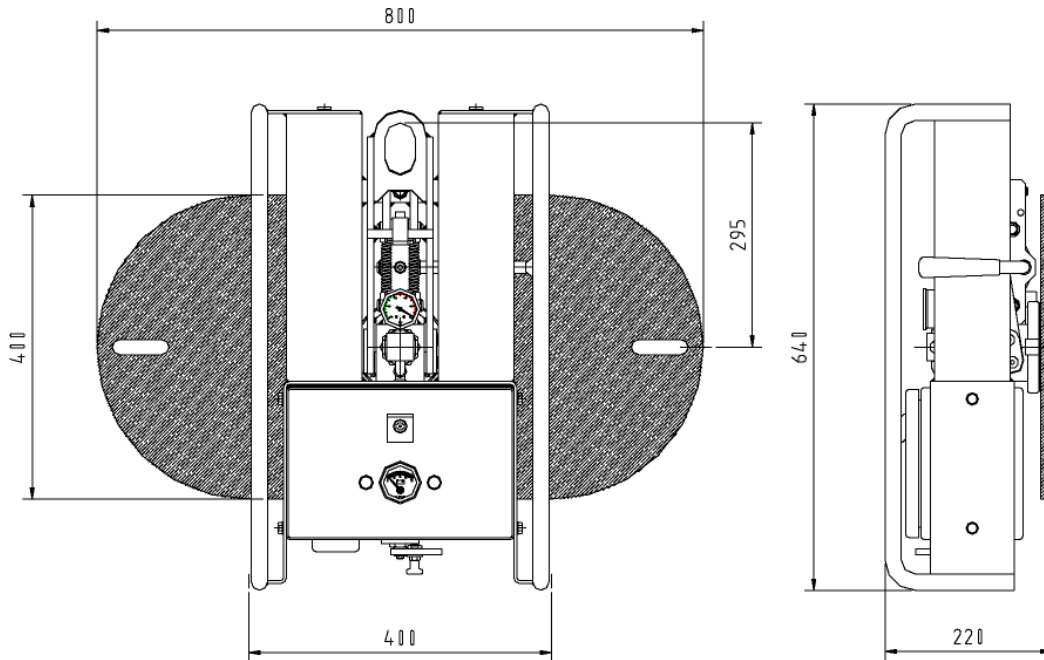
Tel: 01-4519900  
Fax: 01-4519004

**Cork:**  
Doughcloyne Industrial Estate,  
Sarsfield Road, Wilton, Cork

Tel: 021-4342890  
Fax: 021-4342396

**Tyrone:**  
17D Derryloran Industrial Estate,  
Sandholes Road, Cookstown,  
Co. Tyrone, BT80 9LU.

Tel: 028-86758574  
Fax: 028-86758578



# Glass Boy® 111

SWL = 500 kg

**CLAD-BOY**

*Dublin*  
Unit 57, Cookstown Industrial Estate,  
Tallaght, Dublin 24

Tel: 01-4519900  
Fax: 01-4519004

**Glass-Boy**

*Cork:*  
Doughcloyne Industrial Estate,  
Sarsfield Road, Wilton, Cork

Tel: 021-4342890  
Fax: 021-4342396

**ROTA-BOY**

**PACK BOY**

*Tyrone:*  
17D Derryloran Industrial Estate,  
Sandholes Road, Cookstown,  
Co. Tyrone, BT80 9LU.

Tel: 028-86758574  
Fax: 028-86758578