



TECHNICAL DATA SHEET

JUAL

HORISONTAL LEAF GRATE



PRODUCT DESCRIPTION

JUAL Horizontal Leaf Grate

APPLICATIONS:

As universal leaf grate for horizontal roof outlets.
Fits outlets: Ø50 – Ø110.

MATERIALS:

Stainless steel AISI304.

Installation and application must be conducted in accordance with current industry standards.

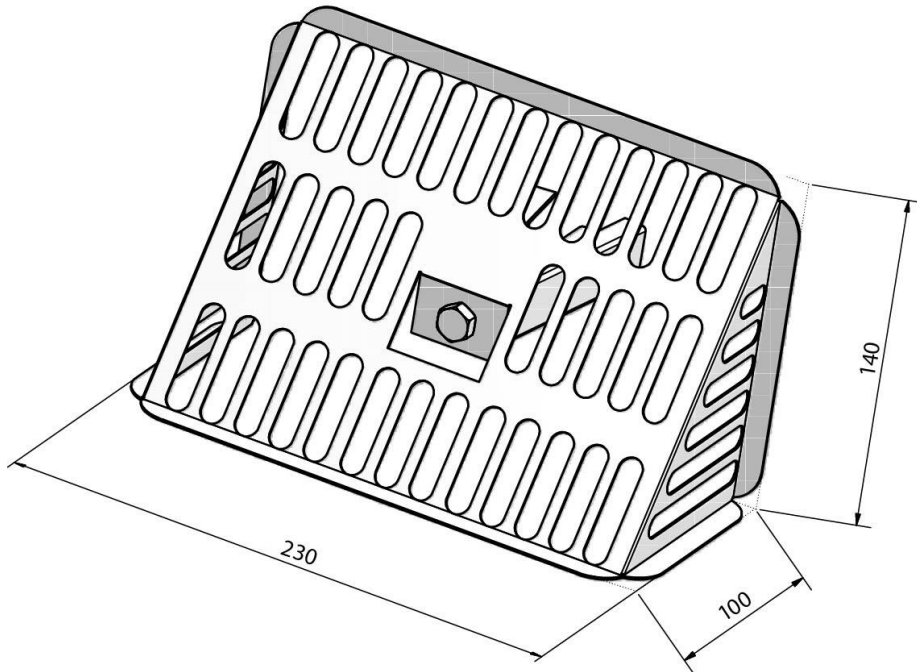
ARTICLE NUMBERS

TYPE	FITS OUTLETS	ARTICLE NO.
JUAL Horizontal Leaf Grate	Ø50 – Ø110	72000H



TECHNICAL DATA SHEET

TECHNICAL INFORMATION



DIMENSION MM	CAPACITY L/SEC.
Ø50	0,5
Ø75	0,7
Ø90	0,9
Ø110	1,1